



247INK TECHNICAL SHEET

REFILL INSTRUCTIONS

Please read these instructions carefully before using your Inkjet Cartridge Refill Kit. Select the model of your printer from one of the pages shown.

GENERAL INFORMATION

Cyan = Blue, Magenta = Red/Pink, Yellow = Yellow,

Light Cyan / Photo Cyan = Light Blue, Light Magenta / Photo Magenta = Light Red/Pink.

Our simple to use refill kit, if used correctly, should provide top quality printed output & give you HUGE SAVINGS over the cost of buying a new cartridge.

Before you start:

- Read the instructions carefully.
- Work over a sink or a surface covered in layers of newspaper (just in case).
- Only re-fill a cartridge that has just run out ~ generally, old dried out cartridges do not fill successfully.
- Even 30 minutes can ruin a cartridge if it dries out!
- Have your printer manual handy for instructions on inserting a “new” cartridge.
- Empty cartridges left for more than 2 days do not always give a successful refill.
- Always refill the cartridge as soon as the warning sign is shown.
- A leaking cartridge can damage your printer. Do not place a cartridge into your printer that is leaking.
- Change your cartridge after every 5 refills, if you do not, quality of printing will deteriorate noticeably.

THE SUPPLIER CANNOT BE HELD RESPONSIBLE FOR ANY DAMAGE CAUSED BY IMPROPER USE, OR FAILURE

PLEASE NOTE: Because of the lifecycle of inkjet printers and the speed with which manufacturers are bringing out new models, your printer/cartridge may not be listed. Please find the closest cartridge to yours and follow those instructions – for colour cartridges make sure you push a cocktail stick, cotton bud or something similar into the filling hole before injecting ink to determine which colour to inject. Injecting the wrong colour will render the cartridge useless!

KEEP OUT OF REACH OF CHILDREN AND PETS!



247INK TECHNICAL SHEET

TABLE OF CONTENTS

BROTHER INKJET CARTRIDGES

| <i>CARTRIDGE CODE</i> | <i>PAGE</i> |
|--|-------------|
| IN-700, IN-710C LC-11BK, LC-11CL | 3 |
| LC-01BK, LC-01C, LC-01M, LC-01Y | 4 |
| LC-02BK, LC-02C, LC-02M, LC-02Y | 4 |
| LC-03BC, LC-03MY | 5 |
| LC-21BK, LC-21C, LC-21M, LC-21Y | 6 |
| LC-41BK, LC-41C, LC-41M, LC-41Y LC-04BK, LC-04C, LC-04M, LC-04Y | 7 |
| LC-25BK, LC-25C, LC-25M, LC-25Y | 8 |
| LC-31BK, LC-31C, LC-31M, LC-31Y | 9 |



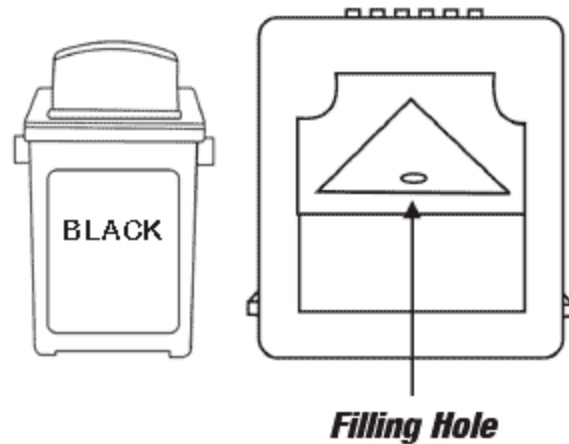
247INK TECHNICAL SHEET

IN-700, IN-710C, LC-11BK, LC-11CL

PDP-300CJ, PDP-350CJ, LW-750ic

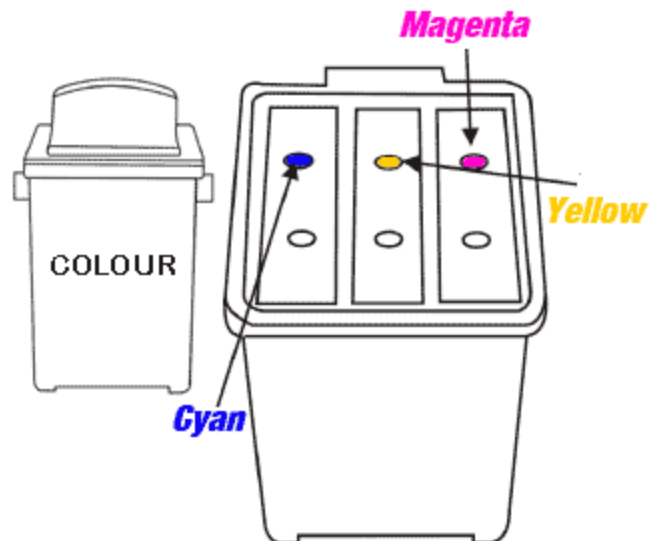
BLACK CARTRIDGE

1. If necessary, use the tools provided to enlarge the filling hole situated on the top of the cartridge.
2. Fill the syringe with approximately 20ml of black ink.
3. Push the syringe all the way into the filling hole and SLOWLY inject all the ink into the cartridge or until the reservoir is full.
4. Replace the cartridge and run 1 - 3 cleaning cycles as per printer instructions.
8. If necessary leave cartridge in printer for up to 24 hours. (This allows ink to flow to the print head).



COLOUR CARTRIDGE

1. Locate the filler holes by removing the plastic top cover of the cartridge. You may need to pry this off using a thin metal blade. Ensure you do not damage the sensors on the back of the cartridge whilst doing this.
2. Using the picture, fill syringe with the corresponding colour ink.
3. Insert the syringe into the correct hole of the colour being filled and push all the way down. You will feel resistance as there is a sponge inside. Slowly inject approximately 8ml of ink until you can just see the ink surface on the top of the sponge, any more and it is over-filled. If this happens simply draw back on the syringe a little.
4. Rinse the syringe and needle thoroughly before proceeding then repeat the process for the other colours.
8. Re-attach the cover securely with adhesive tape and continue using the cartridge.



IMPORTANT – for best results, cartridge should be refilled whilst some ink remains
Empty cartridges should be refilled immediately.
This work is best done over the sink.



247INK TECHNICAL SHEET

LC-01BK, LC-01C, LC-01M, LC-01Y

HC-2500, HS-5000, 5300, MFC 7000, MFC7200

1. With the drill bit supplied, make a 3mm filling hole above the ink reservoir. (See diagram above).

IMPORTANT – DO NOT DRILL INTO THE SECTION CONTAINING THE SPONGE.

2. SLOWLY inject ink into the filling hole until the reservoir is almost full.

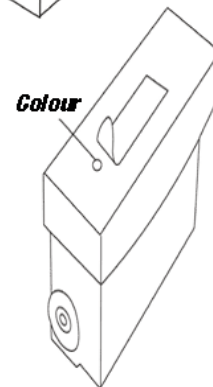
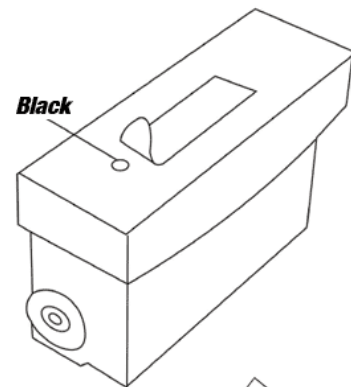
IMPORTANT – Cartridge contains a sponge and slight resistance may be felt.

3. When ink overflows from filling hole, cartridge is full. Stop injecting ink immediately.

4. Seal the hole with the plug provided. If the plug seal is not airtight, then secure and seal plug with strong adhesive tape. **THIS SEAL MUST BE AIRTIGHT, IF NOT THE CARTRIDGE WILL LEAK.**

5. Leave cartridge to stand on a protective, non-absorbent surface overnight to prevent leakage and to give the ink time to fully saturate the sponge.

If necessary leave cartridge in the printer for up to 24 hours. (Allows ink to flow to the print head).



LC-02BK, LC-02C, LC-02M, LC-02Y

MFC 7150, MFC7160

1. Unclip the plastic handle (lever off the back) on top of the cartridge.

2. Seal the outlet hole with adhesive tape. (This will be removed later)

3. Puncture the silver tape with an old ballpoint pen and enlarge the hole beneath to make the 1st filling hole.

4. Push the steel filling tube into the filling hole.

IMPORTANT – You will be injecting onto a sponge and slight resistance may be felt.

5. SLOWLY inject ink. When ink overflows from filling hole or starts to leak from outlet hole, cartridge is full. Stop injecting ink immediately.

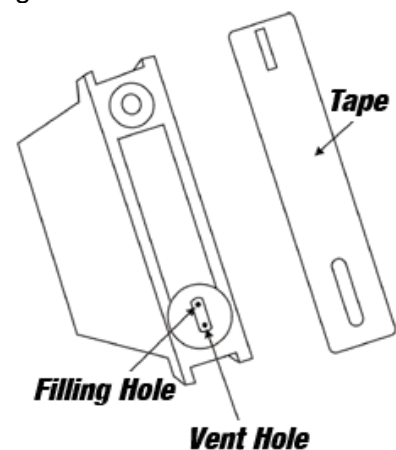
6. Seal the first filling hole with strong adhesive tape.

7. Make a second filling hole (see diagram above) in exactly the same way as the first. This time you will fill the reservoir with ink. Seal the second filling hole with strong adhesive tape and remove tape from outlet hole. Replace the plastic handle.

8. Leave cartridge to stand on a protective, non-absorbent surface overnight to prevent leakage and give the ink time to fully saturate the sponge.

9. Install the cartridge and run a priming cycle as per printer instructions.

IMPORTANT – for best results, cartridge should be refilled whilst some ink remains
Empty cartridges should be refilled immediately.
This work is best done over the sink.





247INK TECHNICAL SHEET

LC-03BC, LC-03MY

MP21C, MP21CDX

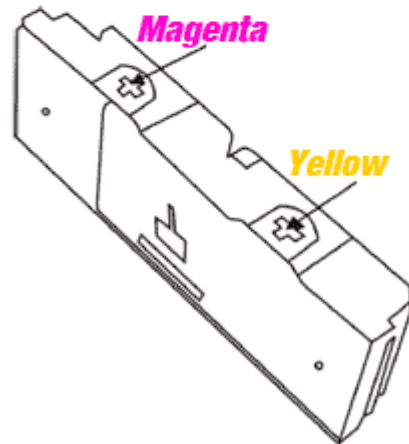
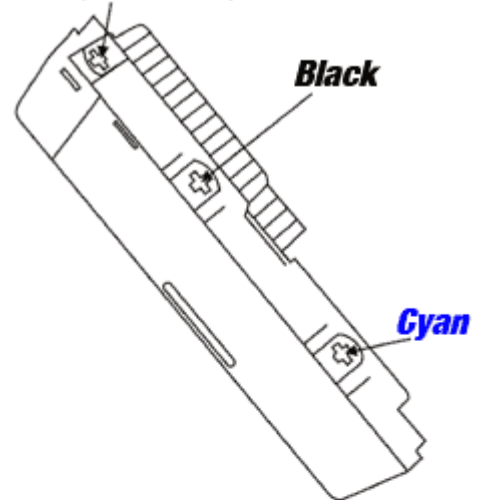
BLACK & COLOUR CARTRIDGES

1. The filling hole is the same as the access port. The printer draws the ink from this port. Shown in the picture is the location of the filling hole / access port.
2. The ink is contained in a plastic bag, this is delicate and it is **VERY IMPORTANT** not to insert the needle of the syringe more than 3/8" (10mm) or it is possible to damage the plastic bag which will render the cartridge useless.
3. Fill the syringe with the correct colour ink and carefully insert the needle into the filling hole / access port and **SLOWLY** inject approximately 4ml of ink per chamber.
4. Hold the cartridge upright with the filling hole on top. Use the syringe to remove any trapped air by only inserting the needle 3/8" (10mm) and withdraw the plunger to remove any air pockets.
5. Once done, thoroughly rinse the syringe before using with any other colour inks.
6. Reinstall cartridge and run a priming cycle as per manufacturers instructions.

IMPORTANT

Empty cartridges should be refilled immediately.
This work is best done over the sink.

Waste Ink Port





247INK TECHNICAL SHEET

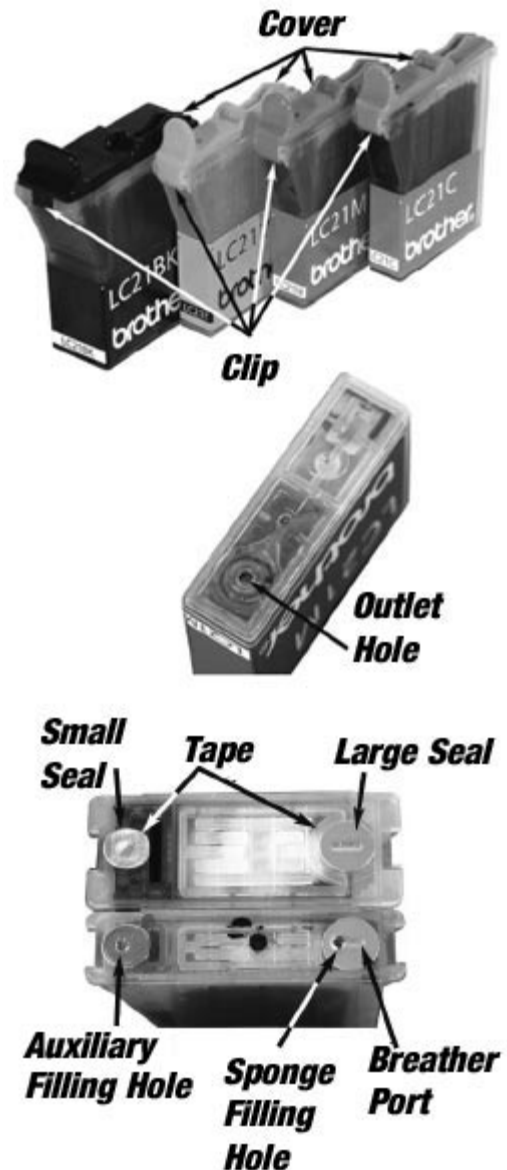
LC-21BK, LC-21C, LC-21M, LC-21Y

MFC3100, MFC3200, MFC5100, MFC5200, IntelliFax 1800

BLACK & COLOUR CARTRIDGES

1. Place a piece of tape over the outlet hole on the cartridge as shown in the picture.
2. Remove the cover using a small flat head screwdriver and carefully pry off the clip which holds the cover onto the cartridge.
3. Remove the large and small seals from the cartridge.
4. Using the drill or eyelet screw included, widen both the 'Sponge' and the 'Auxiliary' filling hole on the top of the cartridge.
5. Using the syringe filled with the correct colour ink for the cartridge you are refilling; insert the needle through the SPONGE filling hole and push it all the way into the cartridge.
You may feel slight pressure because the cartridge contains a sponge.
6. SLOWLY inject approximately 7ml of ink and reseal the SPONGE filling hole and breather port with some tape.
7. Insert the syringe into the AUXILLIARY filling hole no more than ¼" and inject approximately 3ml of ink and reseal with some tape.
8. To replace cover, snap it back onto the cartridge in the same direction it came off.
9. Unused ink may be returned to the bottle. Rinse syringe thoroughly and dry between colours and after use.
10. Remove the tape covering the OUTLET HOLE and reinsert the refilled cartridge(s). Run a priming cycle as per manufacturers' instructions.

IMPORTANT – for best results, cartridge should be refilled whilst some ink remains
Empty cartridges should be refilled immediately.
This work is best done over the sink.





247INK TECHNICAL SHEET

LC-41BK, LC-41C, LC-41M, LC-41Y

IntelliFax 1840, 2440, MFC 420, 5440, 5840, 620

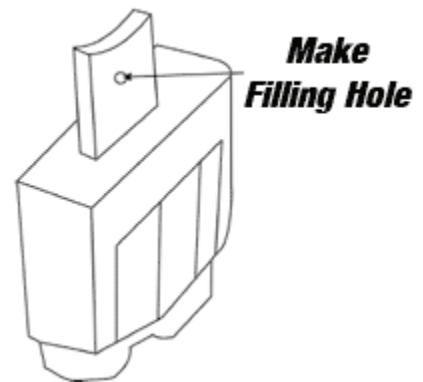
1. Make filling hole using the tools provided in the position shown in the diagram, right.

Use your judgment and be careful not to let any debris from making the hole enter the internal workings of the cartridge. Failure to do so may damage the cartridge beyond repair.

2. Put the tip of the syringe with the correct colour of ink into the hole and SLOWLY inject ink – up to 20ml.

3. Seal the hole with tape and thoroughly clean syringe between colours or to store for future use.

4. Install the cartridge and run a priming cycle as per printer instructions.



ALTERNATIVE METHOD

1. Fill a syringe with 25ml of black or 20ml of the appropriate colour ink depending on which cartridge is to be filled.

2. Remove the needle from the syringe.

3. Invert the cartridge as shown in the diagram to show the ink exit hole and the pressure release button.

4. Push the syringe into the ink exit hole and tilt the syringe to the side. Pull back on the plunger and tilt/rotate the syringe until air flows into the syringe easily.

5. Pull back on the plunger until approx 3-4ml of air from the cartridge has bubbled up through the ink inside the syringe. This will form a slight vacuum in the cartridge. Then push on the syringe plunger gently to inject 3-4ml of ink then stop. Repeat this step 5-10 times to 'pump' the air out of the cartridge and inject the ink into it.

6. When the refill process is complete, the syringe will be filled with air but the plunger will be more or less in the same position you started. Pull back one last time to pull a last little bit of air from the cartridge and then remove the syringe from the cartridge.

DO NOT PRESS THE PRESSURE RELEASE BUTTON INTENTIONALLY OR BY ACCIDENT

8. Install the cartridge and run a priming cycle as per printer instructions.

IMPORTANT

Empty cartridges should be refilled immediately.
This work is best done over the sink.



First, pull back on the syringe until 4-5 ml of air bubbles up into the syringe.

Then release (and gently push) an equal amount (4-5 ml) of ink into the cartridge.

Repeat until all the ink is in the cartridge.





247INK TECHNICAL SHEET

LC-25BK, LC-25C, LC-25M, LC-25Y

MFC 4420, 4820

1. Using the tools provided, pry out the small white plug located next to the outlet hole. It is not necessary to remove the entire plug from the outlet hole.

2. Attach the needle to the syringe and fill with the appropriate colour of ink for the cartridge you are filling.

3. Insert the syringe into the small hole underneath the white plug.

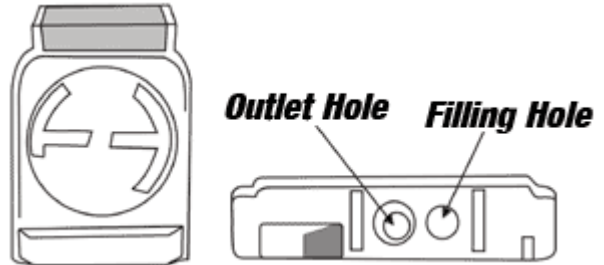
4. SLOWLY inject 6-8ml of ink into the cartridge until ink starts to surface. *Note: You can see the ink level through the translucent back of the cartridge.* Any unused ink may be returned to the bottle.

5. Reinsert the plug back into position making sure that the small nipple on the bottom of the plug is resealed into the small filling hole of the cartridge.

6. Thoroughly rinse the syringe with water and dry between colours or to store for future use.

7. Install the cartridge and run a priming cycle as per printer instructions.

IMPORTANT – for best results, cartridge should be refilled whilst some ink remains
Empty cartridges should be refilled immediately.
This work is best done over the sink.





247INK TECHNICAL SHEET

LC-31BK, LC-31C, LC-31M, LC-31Y - Picture is of LC21 Series cartridges but is essentially the same.

MFC 3820, 3220, 3420, , Fax 1820, 1920

BLACK & COLOUR CARTRIDGES

1. Place a piece of tape over the outlet hole on the cartridge as shown in the picture.
2. Remove the cover using a small flat head screwdriver and carefully pry off the clip which holds the cover onto the cartridge.
3. Remove the large and small seals from the cartridge.
4. Using the drill or eyelet screw included, widen both the 'Sponge' and the 'Auxiliary' filling hole on the top of the cartridge.
5. Using the syringe filled with the correct colour ink for the cartridge you are refilling; insert the needle through the SPONGE filling hole and push it all the way into the cartridge.
You may feel slight pressure because the cartridge contains a sponge.
6. SLOWLY inject approximately 7ml of ink and reseal the SPONGE filling hole and breather port with some tape.
7. Insert the syringe into the AUXILLIARY filling hole no more than ¼" and inject approximately 3ml of ink and reseal with some tape.
8. To replace cover, snap it back onto the cartridge in the same direction it came off.
9. Unused ink may be returned to the bottle. Rinse syringe thoroughly and dry between colours and after use.
10. Remove the tape covering the OUTLET HOLE and reinsert the refilled cartridge(s). Run a priming cycle as per manufacturers' instructions.

IMPORTANT – for best results, cartridge should be refilled whilst some ink remains
Empty cartridges should be refilled immediately.
This work is best done over the sink.

